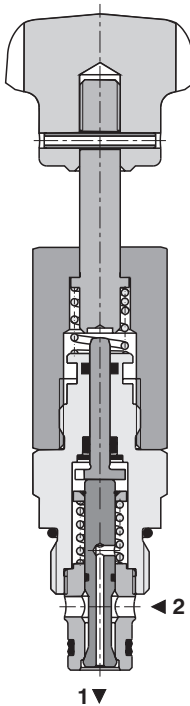


2/2 Directional Valve, Manually Operated, Poppet Type, Blocking, Direct Acting

SD1M-A2

3/4-16 UNF • Q_{max} 20 l/min (5 GPM) • p_{max} 250 bar (3600 PSI)



Technical Features

- › Hardened precision parts
- › High flow capacity and leak-free closing
- › Wide range of manual operations
- › Standard version zinc-coated with surface protection acc. to ISO 9227 (240 h salt spray)

Functional Description

A manually operated, 2-way, blocking, push-to-open valve in the form of a screw-in cartridge. The preferential flow is from 2 to 1. The valve provides the possibility to throttle the flow. Position 0 middle hand lever position - the valve is closed. Position I opens the valve against the return spring.

Model Code	2S5	
Symbol	1	2

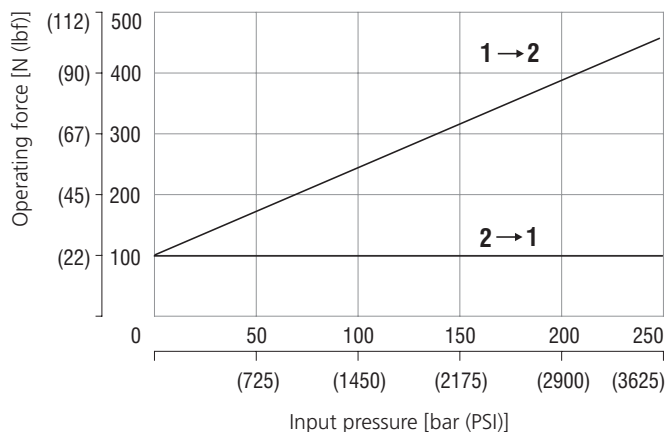
Technical Data

Valve size / Cartridge cavity		3/4-16 UNF-2A / A2 (C-8-2)	
Max. flow	l/min (GPM)	20 (5.3)	
Max. operating pressure	bar (PSI)	250 (3630)	
Max. operating force	N (lbf)	see characteristics	
Fluid temperature range (NBR)	°C (°F)	-30 ... 100 (-22 ... +212)	
Fluid temperature range (FPM)	°C (°F)	-20 ... 120 (-4 ... +248)	
Lifespan	cycles	10 ⁶	
Weight	model	1	2
	kg (lbs)	0.27 (0.60)	0.38 (0.84)

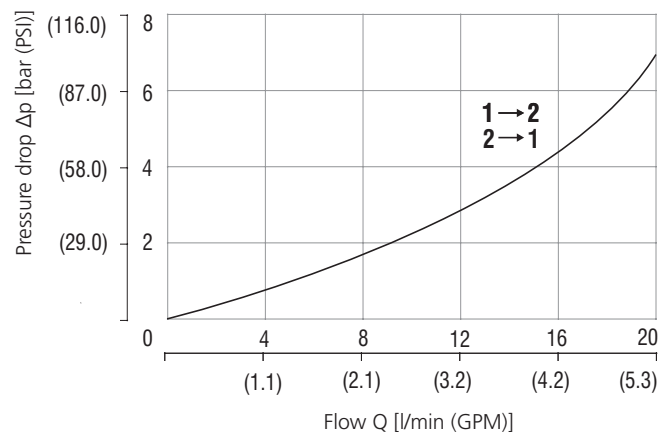
	Datasheet	Type
General information	GI_0060	Products and operating conditions
Valve bodies	In line mounted	SB-A2*
	Sandwich mounted	SB-*A2*
Cavity details / Form tools	SMT_0019	SMT-A2*
Spare parts	SP_8010	

Characteristics measured at $v = 32 \text{ mm}^2/\text{s}$ (156 SUS)

Operating limits

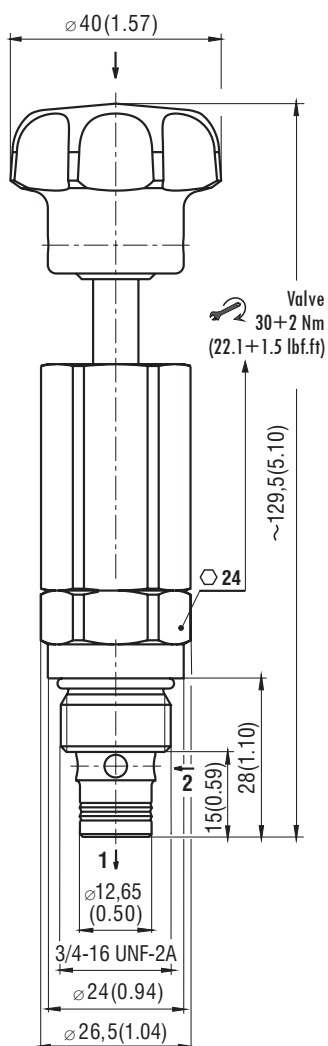


Pressure drop related to flow rate

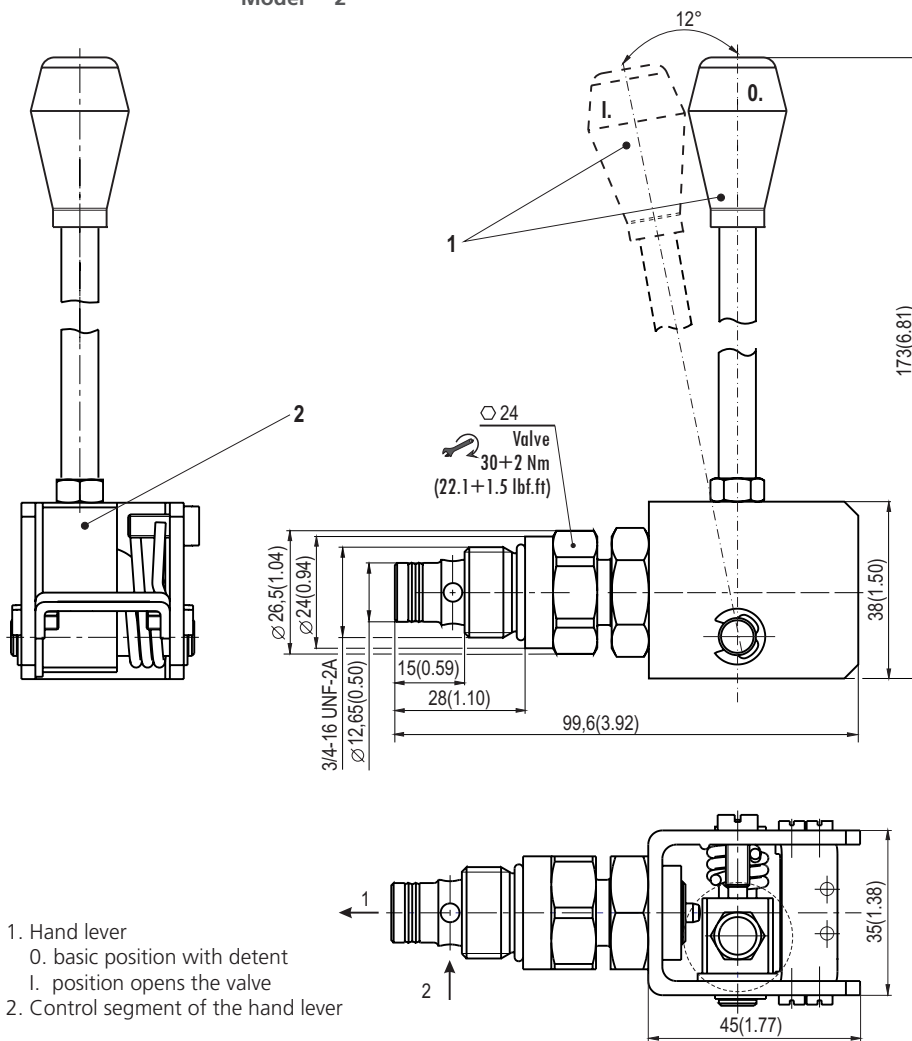


Dimensions in millimeters (inches)

Model 1



Model 2



Ordering Code

SD1M - A2 / L 2S5 - -

2/2 directional valve, manually operated poppet type, blocking, direct acting

Valve cavity
3/4-16 UNF (C-8-2)

Model
Lightline

Model

Surface treatment
A zinc-coated (ZnCr-3), ISO 9227 (240 h)
B zinc-coated (ZnNi), ISO 9227 (520 h)

No designation
V

Seals
NBR
FPM (Viton)

Actuation
1 hand push knob
2 hand lever