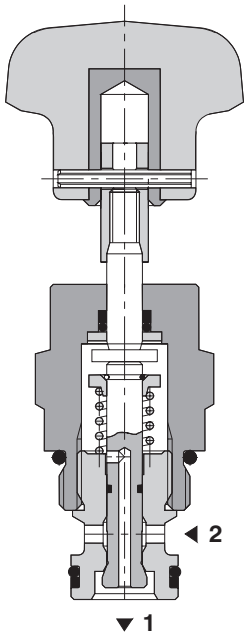


2/2 Directional Valve, Manually Operated, Poppet Type, Blocking, Direct Acting

ROR3-062

M22 x 1.5 • Q_{max} 35 l/min (9 GPM) • p_{max} 320 bar (4600 PSI)

Normally closed
Push-to-open



Technical Features

- › Hardened precision parts
- › High flow capacity and leak-free closing
- › Wide range of actuation alternatives
- › Standard version zinc-coated (240 h corrosion protection in NSS acc. to ISO 9227)

Functional Description

A screw-in cartridge poppet valve manually operated by hand lever or push knob with a connecting thread M22x1,5. The bidirectional valve with a preferential flow direction 2 → 1 is designed for leakage free closing. In basic position the valve is closed. When adjusting the lever, the valve gradually opens against spring force and the flow increases up to the maximum.

Modell	1,2	3
Symbol		

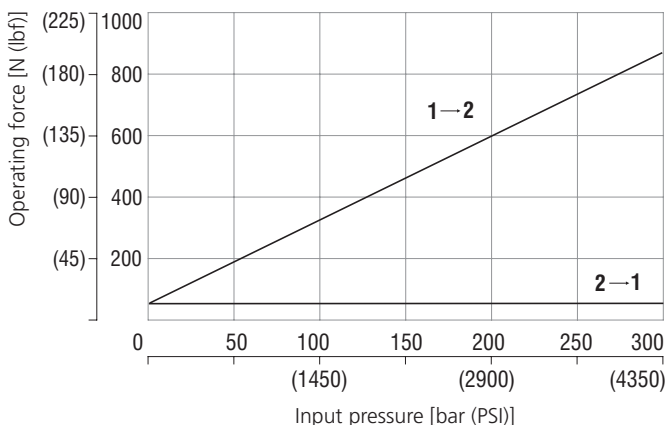
Technical Data

Valve size / Cartridge cavity		M22 x 1.5 / QG2		
Max. flow	l/min (GPM)	35 (9.2)		
Max. operating pressure	bar (PSI)	320 (4640)		
Max. operating force	N (lbf)	see characteristics		
Fluid temperature range (NBR)	°C (°F)	-30 ... +100 (-22 ... +176)		
Fluid temperature range (FPM)	°C (°F)	-20 ... +120 (-4 ... +248)		
Service life	cycles	10 ⁶		
Weight	model	1	2	3
	kg (lbs)	0.15 (0.33)	0.25 (0.55)	0.66 (1.46)

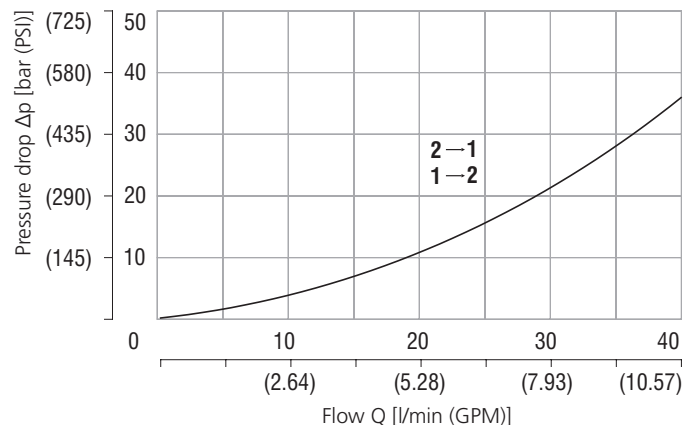
		Datasheet	Type
General information		GI_0060	Products and operating conditions
Valve bodies	In-line mounted	SB_0018	SB-QG2*
	Sandwich mounted	SB-4(06)_0028	SB-*QG2*
Cavity details		SMT_0019	SMT-QG2*
Spare parts		SP_8010	

Characteristics measured at $v = 32 \text{ mm}^2/\text{s}$ (156 SUS)

Operating limits

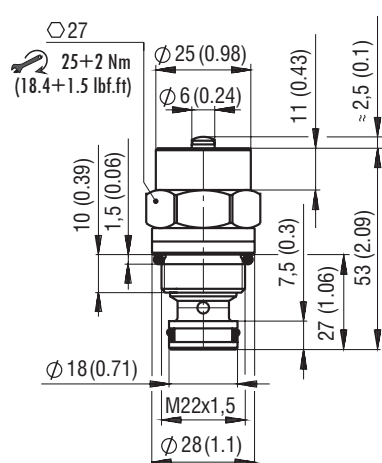


Pressure drop related to flow rate

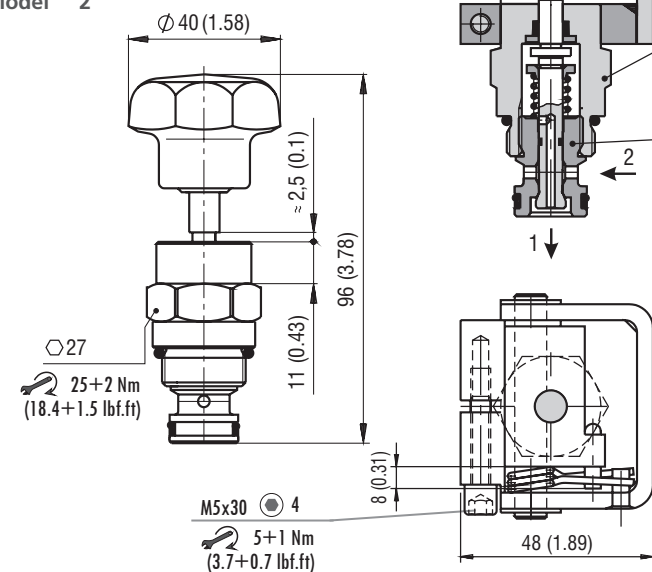


Dimensions in millimeters (inches)

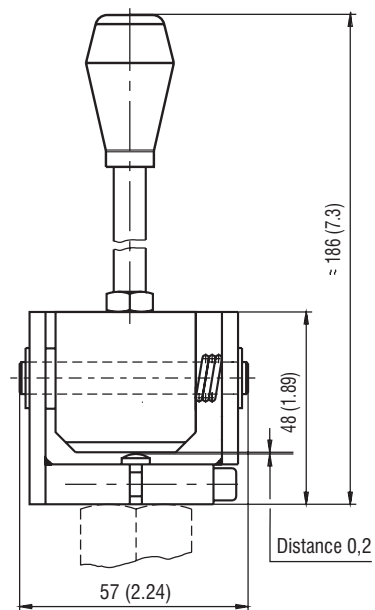
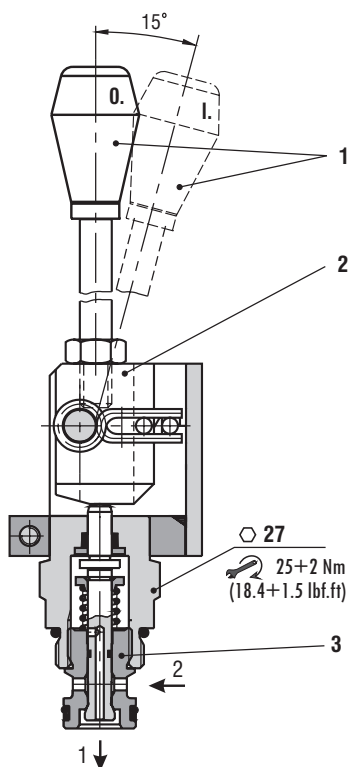
Model 1



Model 2



Model 3



- 1 Hand lever
- 0 position with detent
- 1. position opens the valve
- 2 Section of the hand lever
- 3 SD1M-QG2

Ordering Code

ROR3-06 2 - 00 - [] - [] - []

2/2 directional valve, manually operated, poppet type, blocking, direct acting M22x1.5

Valve size

Number of valve positions

Flow restrictor
without flow restrictor

Surface treatment
A zinc-coated (ZnCr-3), ISO 9227 (240 h)
B zinc-coated (ZnNi), ISO 9227 (520 h)

No designation
V

Seals
NBR
FPM (Viton)

Actuation
1 plunger
2 hand push knob
3 hand lever