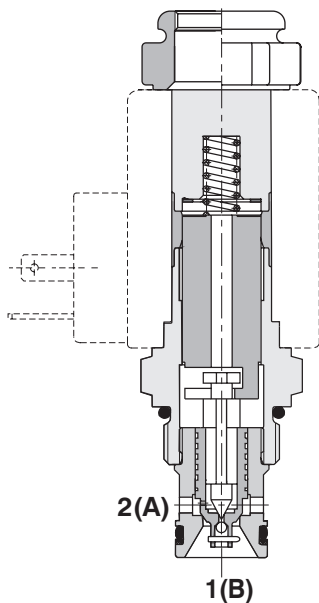


2/2 Solenoid Operated Poppet Valve, Pilot Operated

ROE3-062S2

M22x1.5 • Q_{max} 63 l/min (17 GPM) • p_{max} 250 bar (3600 PSI)

Normally closed



Technical Features

- › Screw-in cartridge valve with connecting thread M22x1.5
- › All ports may be fully pressurized with maximum pressure 250 bar
- › Valve closes leak-free in specified flow direction
- › Precisely manufactured parts and hardened poppet
- › Normally closed version
- › Optional type of manual override
- › Coil interchangeability among ROE / RPE3-04 product line
- › The valve in standard version is zinc-coated with surface protection 240 h in NSS acc. to ISO 9227

Functional Description

2/2 screw-in cartridge poppet valve with connecting thread M22x1,5, solenoid operated, piloted. The one-directional valve is used for leak-free closing in specified flow direction (2 → 1).

Model Code	S2
Symbol	

Technical Data

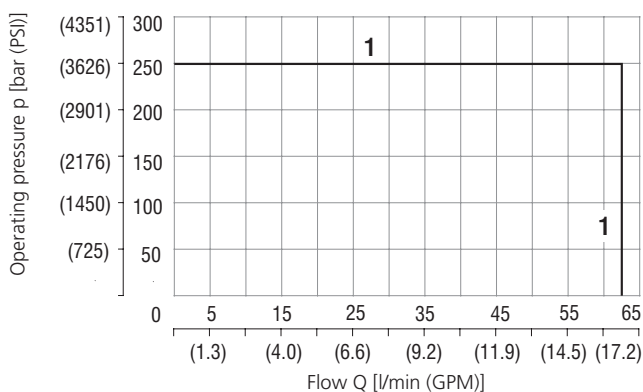
Valve size / Cartridge cavity		M22x1.5 / QG2
Max. flow	l/min (GPM)	63 (16.6)
Max. operating pressure	bar (PSI)	250 (3630)
Fluid temperature range (NBR)	°C (°F)	-30 ... +80 (-22 ... +176)
Fluid temperature range (FPM)	°C (°F)	-20 ... +80 (-4 ... +176)
Ambient temperature	°C (°F)	-20 ... 50 (-4 ... 122)
Supply voltage tolerance	%	AC, DC: ± 10
Max. switching frequency	1/h	15 000
Weight without coil	kg (lbs)	0.20 (0.44)

	Datasheet	Type
General information	GI_0060	Products and operating conditions
Coil types	C_8007	C19B*
Valve bodies	In line mounted	SB-QG2*
	Sandwich mounted	SB-04 (06)_0028
Cavity details	SMT_0019	SMT-QG2*
Spare parts	SP_8010	

Characteristics measured at $v = 32 \text{ mm}^2/\text{s}$ (156 SUS)

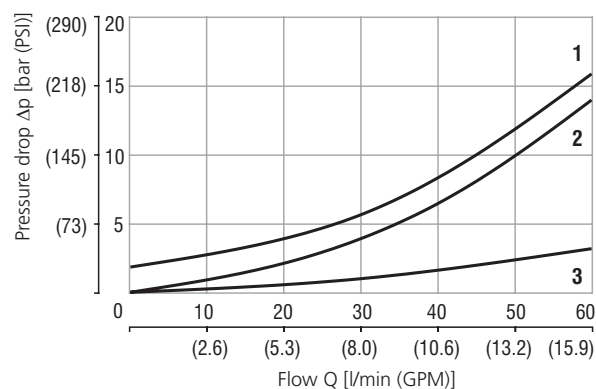
Operating limits

Operating limits for maximum hydraulic power at rated temperature and supply voltage equal to 90% nominal.



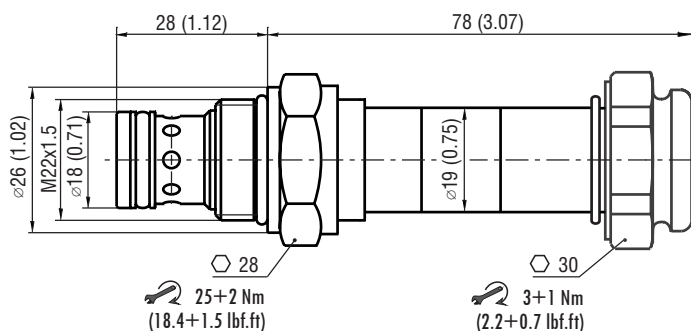
Model	Connection
1	S2
	2→1, 1→2

Pressure drop related to flow rate



Model	Connection	Solenoid	
1	S2	1→2	OFF
2	S2	2→1	ON
3	S2	1→2	ON

Dimensions in millimeters (inches)



Manual Override in millimeters (inches)

<p>Standard - without manual override</p>	<p>Designation N5 - with external hexagon, across flats 14</p>

In case of solenoid malfunction or power failure, the spool of the valve can be shifted by manual override as long as the pressure in port T does not exceed 25 bar (363 PSI). For alternative manual overrides contact our technical support.

Ordering Code

