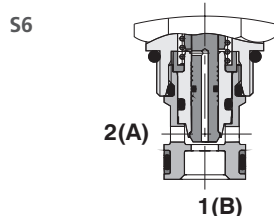
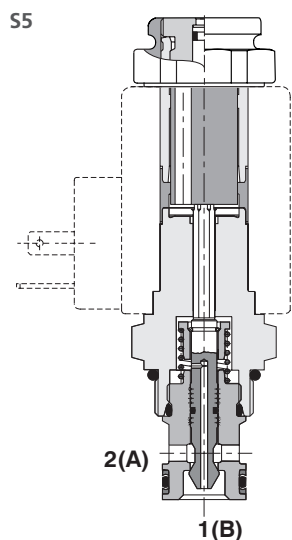


2/2 Solenoid Operated Poppet Valve, Direct Acting

ROE3-042S5(S6) M22x1.5 • Q_{max} 25 l/min (7 GPM) • p_{max} 250 bar (3600 PSI)



Technical Features

- › Screw-in cartridge valve with connecting thread M22x1.5
- › All ports may be fully pressurized with maximum pressure 250 bar
- › Valve closes leak-free in both flow directions
- › Precisely manufactured parts and hardened poppet
- › Normally open or normally closed version
- › Optional type of manual override
- › Coil interchangeability among ROE / RPE3-04 product line
- › The valve in standard version is zinc-coated with surface protection 240 h in NSS acc. to ISO 9227

Functional Description

2/2 screw-in cartridge poppet valve with connecting thread M22x1.5, solenoid operated, direct acting. The bi-directional valve is used for leak-free closing in both flow directions.

Model Code	S5	S6
Symbol		

Technical Data

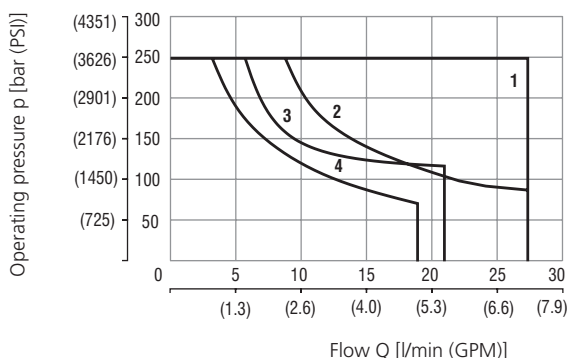
Valve size / Cartridge cavity		M22x1.5 / QG2
Max. flow	l/min (GPM)	25 (6.6)
Max. operating pressure	bar (PSI)	250 (3630)
Fluid temperature range (NBR)	°C (°F)	-30 ... +80 (-22 ... +176)
Fluid temperature range (FPM)	°C (°F)	-20 ... +80 (-4 ... +176)
Ambient temperature	°C (°F)	-20 ... 50 (-4 ... 122)
Supply voltage tolerance	%	AC, DC: ± 10
Max. switching frequency	1/h	15 000
Weight without coil	kg (lbs)	0.2 (0.44)

		Datasheet	Type
General information		GI_0060	Products and operating conditions
Coil types		C_8007	C19B*
Valve bodies	In-line mounted	SB_0018	SB-QG2*
	Sandwich mounted	SB-04 (06)_0028	SB-04-QG2*
Cavity details		SMT_0019	SMT-QG2*
Spare parts		SP_8010	

Characteristics measured at $v = 32 \text{ mm}^2/\text{s}$ (156 SUS)

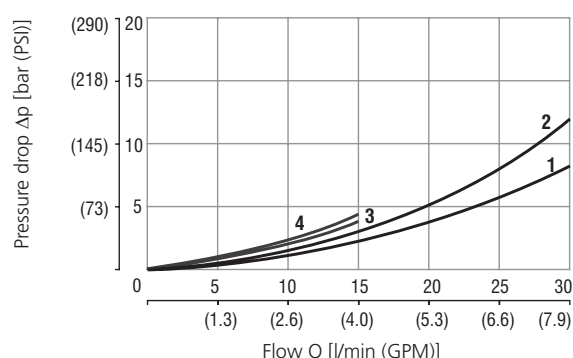
Operating limits

Operating limits for maximum hydraulic power at rated temperature and supply voltage equal to 90% nominal.



	Model	Connection
1	S5	2→1
2	S5	1→2
3	S6	2→1*
4	S6	1→2*

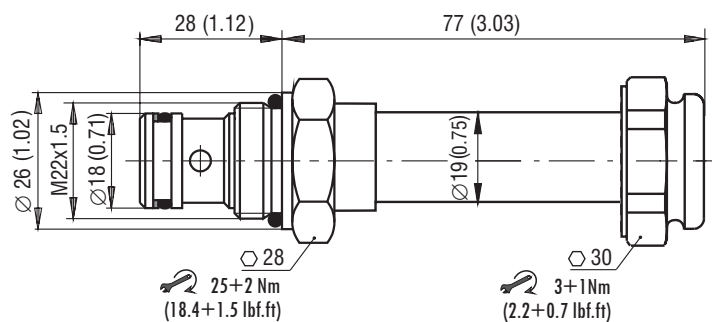
Pressure drop related to flow rate



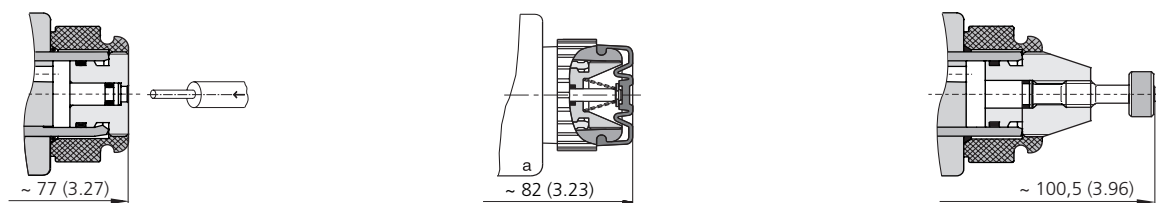
	Model	Connection
1	S5	2→1
2	S5	1→2
3	S6	2→1*
4	S6	1→2*

* flow up to 15 l/min (4 GPM)

Dimensions in millimeters (inches)



Manual Override in millimeters (inches)



In case of solenoid malfunction or power failure, the spool of the valve can be shifted by manual override as long as the pressure in port T does not exceed 25 bar (363 PSI). For alternative manual overrides contact our technical support.

Ordering Code

ROE3 - 042					
2/2 Solenoid Operated Poppet Valve, Direct Acting M22x1.5					
Valve size					
Functional symbol					
	S5				
	S6				
		No designation			
		N2			
		N4			
				Surface treatment	
				A	zinc-coated (ZnCr-3), ISO 9227 (240 h)
				B	zinc-coated (ZnNi), ISO 9227 (520 h)
				Seals	
				V	NBR
					FPM (Viton)
				Manual override	
					standard
					rubber boot protected
					hand screw