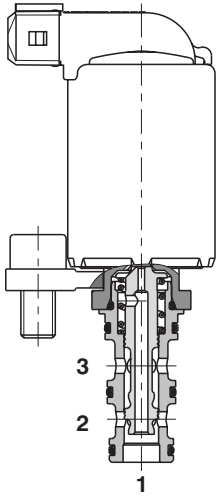


## 3/2 Directional Valve, Solenoid Operated, Spool Type, Direct Acting, Slip-In Style

### PD2E1

Size D17/D20 •  $Q_{max}$  30 l/min (8 GPM) •  $p_{max}$  80 bar (1200 PSI)

#### PD2E1-Y3



#### Technical Features

- › 3/2 directional valve in an economical design
- › Hardened precision parts
- › High flow capacity
- › Variety of optional spools available
- › Standard version zinc-coated with surface protection acc. to ISO 9227 (240 h salt spray)

#### Functional Description

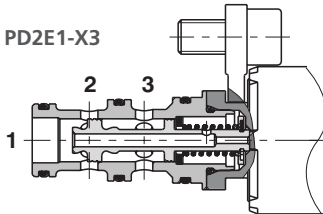
3-way, 2-position spool valve in the form of an economically designed slip-in cartridge. The valve is designed for use in the low-pressure systems of mobile applications, e.g. for functional control of transmissions.

Model Code	2D21	2D26
Symbol		

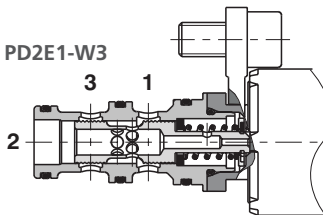
#### Technical Data

Valve size / Cartridge cavity		D17 / Y3	D20 / X3, W3
Max. flow	l/min (GPM)	30 (7.9)	
Max. operating pressure version Y, X (2, 3), W (3,1)	bar (PSI)	80 (1160)	
Max. operating pressure version Y, X (1), W (2)	bar (PSI)	30 (440)	
Fluid temperature range	°C (°F)	-30...90 (-22...194), +100 (212) short-time	
Ambient temperature range	°C (°F)	-30...90 (-22...194), +100 (212) short-time	
Supply voltage tolerance	%	± 10	
Supply voltage	V	12 DC	24 DC
Quenching diode		BZW06-19B	BZW06-33B
Enclosure type acc. to EN 60529		IP67 / IP 69K	
Weight	kg (lbs)	0.2 (0.44)	

#### PD2E1-X3



#### PD2E1-W3

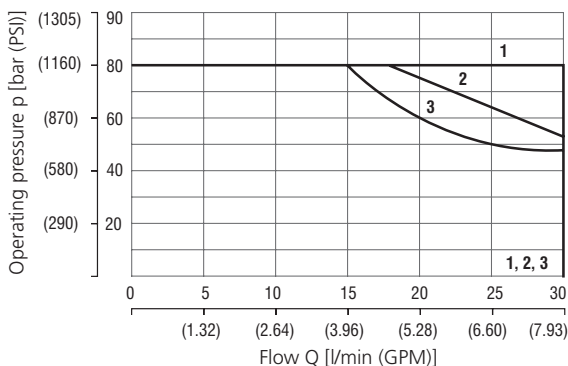


		Datasheet	Type	
Valve			PD2E1-Y3	PD2E1-X3
General information		GI_0060	Products and operating conditions	
Valve bodies	In-line mounted	SB_0018	SB-Y3-*	SB-W3-*
Cavity details		SMT_0019	SMT-Y3*	SMT-W3*
Spare parts		SP_8010		

### Characteristics measured at $v = 32 \text{ mm}^2/\text{s}$ (156 SUS)

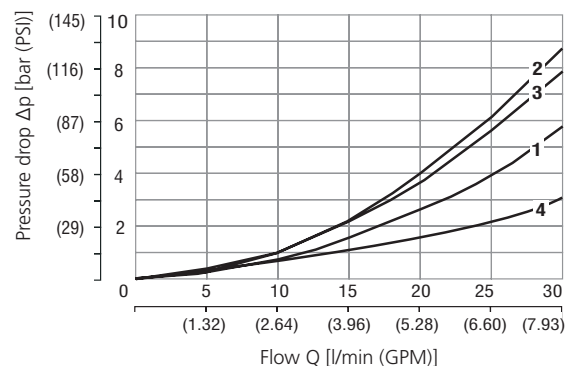
#### Operating limits

Oil 90 °C (194 °F) / Ambient temperature 90 °C (194 °F) / Voltage  $U_n \pm 15\%$  (21.6 VDC)



	Model	Connection
Y3	2D21	2→1
		3→2
	2D26	3→2
X3	2D21	2→1
		3→2
W3	2D21	2→1
		3→2

#### Pressure drop related to flow rate

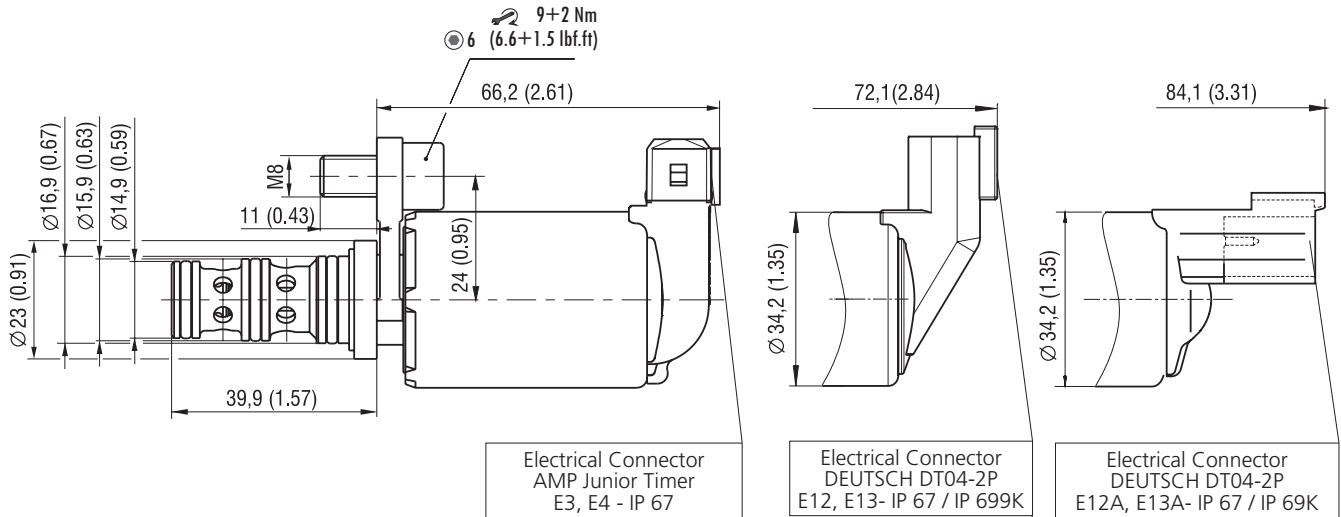


	Model	Connection
Y3	2D21	2→1
		3→2
	2D26	2→1
X3	2D21	3→2
		2→1
W3	2D21	2→1
		3→2

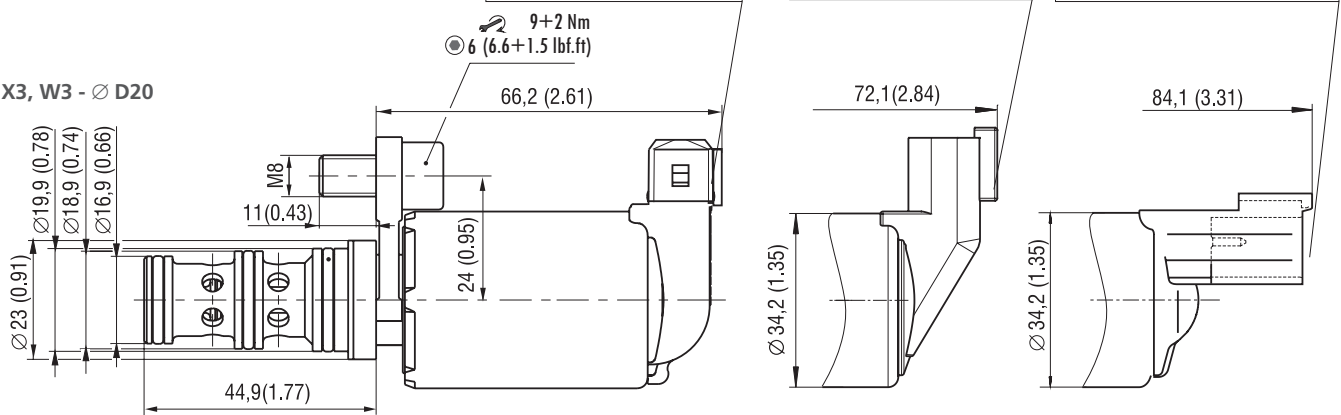
For operating limits under conditions and flow directions other than shown contact our technical support.

Dimensions in millimeters (inches)

Y3 - Ø D17



X3, W3 - Ø D20



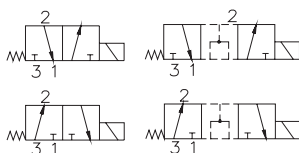
Ordering Code

PD2E1 - [ ] / [ ] - [ ] [ ] [ ] - [ ]

3/2 directional valve, solenoid operated, spool type, direct acting, slip-in style

Valve cavity  
D17 Y3  
D20 W3  
D20 X3

Functional symbol



2D21

2D26

12  
24

Surface treatment  
A zinc-coated (ZnCr-3), ISO 9227 (240 h)  
B zinc-coated (ZnNi), ISO 9227 (520 h)

Seals  
No designation V  
NBR  
FPM (Viton)

Connector  
E3 AMP Junior Timer - radial direction (2 pins; male)  
E4 E3 with quenching diode  
E12 Deutsch DT04-2P - radial direction (2 pins; male)  
E13 E12 with quenching diode  
E12A Deutsch DT04-2P - axial direction (2 pins; male)  
E13A E12A with quenching diode

Nominal supply voltage  
12 V DC / 1.67 A  
24 V DC / 0.84 A