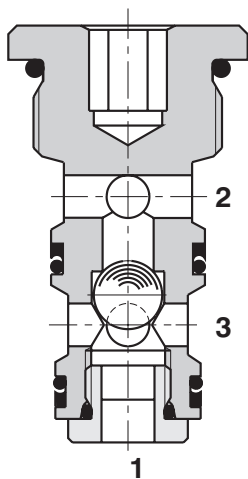


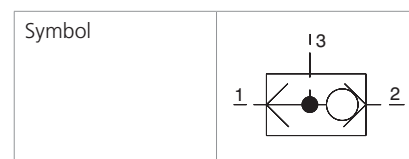
Load Shuttle Valve, Ball Type
LV1-063/S

M22x1.5 • Q_{max} 40 l/min (11 GPM) • p_{max} 320 bar (4600 PSI)

Technical Features

- › Rapid response to changes in load direction
- › Hardened precision parts
- › Sharp-edged steel seats for dirt-tolerant performance
- › Leak-free closing, suitable for durable fast cycling
- › High flow capacity
- › In the standard version, the valve is zinc-coated for 240 h protection acc. to ISO 9227

Functional Description

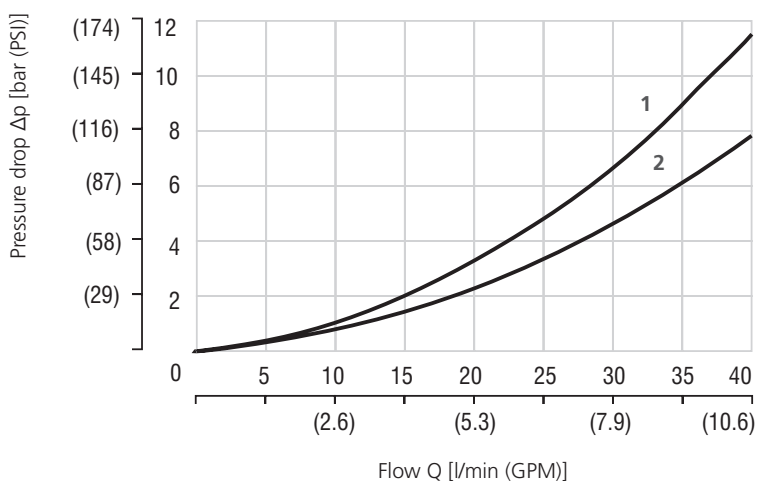
A high pressure shuttle valve in the form of a screw-in cartridge. This valve prioritizes the respective higher pressure signal from either port 1 or 2. Tightness between ports 1 and 3 is ensured by a sharp-edge steel valve seat.


Technical Data

Valve size / Cartridge cavity		M22x1,5 / QF3
Max. flow	l/min (GPM)	40 (10.6)
Max. operating pressure	bar (PSI)	320 (4640)
Fluid temperature range (NBR)	°C (°F)	-30 +100 (-22 ... +212)
Fluid temperature range (FPM)	°C (°F)	-20 +120 (-4 ... +248)
Weight	kg (lbs)	0.078 (0.172)

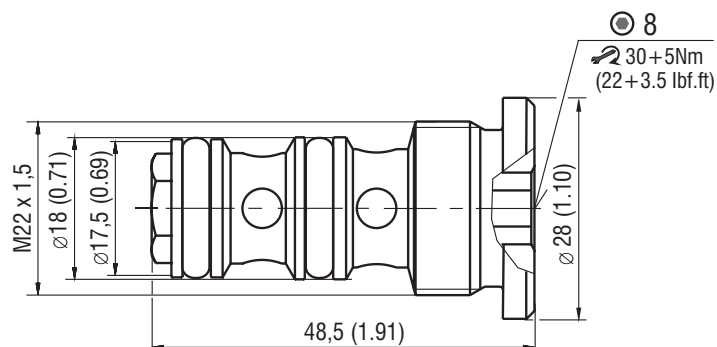
		Datasheet	Type
General information		GI_0060	Products and operating conditions
Valve bodies	In-line mounted	SB_0018	SB-QF3*
	Sandwich mounted	SB-04(06)_0028	LV1-063/M_HA 5030
Cavity details		SMT_0019	SMT-QF3*
Spare parts		SP_8010	

Characteristics measured at $v = 32 \text{ mm}^2/\text{s}$ (156 SUS)

Pressure drops Δp -Q


	Flow direction
1	1 → 3
2	2 → 3

Dimensions in millimeters (inches)



Ordering Code

LV1-063 / S -

Load shuttle valve, ball type
M22x1.5

Model
screw in cartridge

Surface treatment
A zinc-coated (ZnCr-3), ISO 9227 (240 h)
B zinc-coated (ZnNi), ISO 9227 (520 h)

No designation
V

Seals
NBR
FPM (Viton)