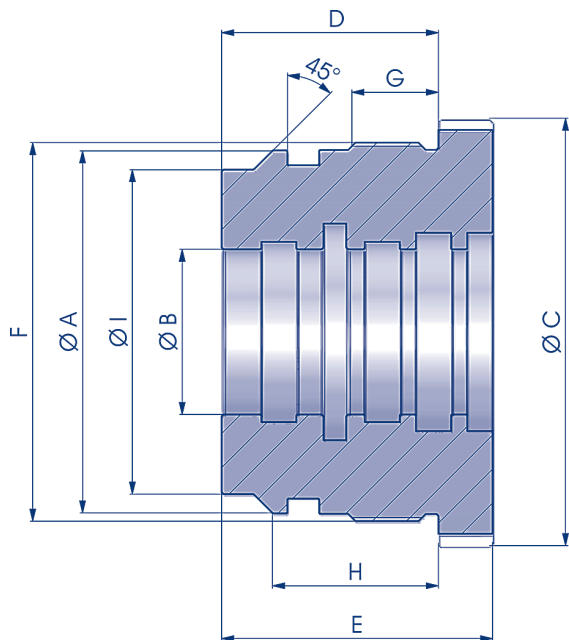




TESTATA PESANTE
HEAVY HEAD SCHWERER KOPF
TÊTE LOURDE CABEZA PESADA



NEW	COD.	A	B	C	D	E	F	G	H	I	Kg
	NBTP065050025	50	25	64	45	55	M54X1.5	22	38	45	0,64
	NBTP065050030	50	30	64	45	55	M54X1.5	22	38	45	0,52
	NBTP065050035	50	35	64	45	55	M54X1.5	22	38	45	0,39
	NBTP075060030	60	30	74	48	60	M64X1.5	22	38	52	0,99
	NBTP075060035	60	35	74	48	60	M64X1.5	22	38	52	0,86
	NBTP075060040	60	40	74	48	60	M64X1.5	22	38	52	0,69
	NBTP078063035	63	35	78	50	65	M68X1.5	22	40	53	1,12
	NBTP078063040	63	40	78	50	65	M68X1.5	22	40	53	0,92
	NBTP078063045	63	45	78	50	65	M68X1.5	22	40	53	0,71
	NBTP085070040	70	40	84	50	65	M74X1.5	22	40	60	1,27
	NBTP085070050	70	50	84	50	65	M74X1.5	22	40	60	0,85
	NBTP090075040	75	40	89	55	70	M80X2	25	43	65	1,68
	NBTP090075045	75	45	89	55	70	M80X2	25	43	65	1,46
	NBTP090075050	75	50	89	55	70	M80X2	25	43	65	1,21
	NBTP100080040	80	40	94	60	75	M85X2	25	43	70	2,14
	NBTP100080045	80	45	94	60	75	M85X2	25	43	70	1,90
	NBTP100080050	80	50	94	60	75	M85X2	25	43	70	1,66
	NBTP110090040	90	40	109	60	75	M95X2	25	46	80	3,04
	NBTP110090045	90	45	109	60	75	M95X2	25	46	80	2,80
	NBTP110090050	90	50	109	60	75	M95X2	25	46	80	2,55
	NBTP110090060	90	60	109	60	75	M95X2	25	46	80	2,00
	NBTP120100045	100	45	119	60	75	M105X2	25	46	90	3,70
	NBTP120100050	100	50	119	60	75	M105X2	25	46	90	3,46
	NBTP120100056	100	56	119	60	75	M105X2	25	46	90	3,13
	NBTP120100060	100	60	119	60	75	M105X2	25	46	90	2,90
	NBTP120100063	100	63	119	60	75	M105X2	25	46	90	2,62
	NBTP120100070	100	70	119	60	75	M105X2	25	46	90	2,21
	NBTP130110050	110	50	129	70	85	M115X2	30	52	100	4,95
	NBTP130110056	110	56	129	70	85	M115X2	30	52	100	4,65
	NBTP130110060	110	60	129	70	85	M115X2	30	52	100	4,37
	NBTP130110063	110	63	129	70	85	M115X2	30	52	100	4,07
	NBTP140120060	120	60	139	70	85	M125X2	31	52	110	5,60
	NBTP140120070	120	70	139	70	85	M125X2	31	52	110	4,87
	NBTP140120080	120	80	139	70	85	M125X2	31	52	110	3,88
	NBTP145125050	125	50	144	75	90	M130X2	39	60	115	7,30
	NBTP145125060	125	60	144	75	90	M130X2	39	60	115	6,66
	NBTP145125070	125	70	144	75	90	M130X2	39	60	115	5,88
	NBTP145125080	125	80	144	75	90	M130X2	39	60	115	4,85
	NBTP145125090	125	90	144	75	90	M130X2	39	60	115	3,84
	NBTP150130060	130	60	149	75	90	M135X2	40	61	120	7,42
	NBTP150130070	130	70	149	75	90	M135X2	40	61	120	6,60
	NBTP160140070	140	70	159	75	90	M145X2	40	61	130	8,10
	NBTP160140080	140	80	159	75	90	M145X2	40	61	130	7,09
	NBTP160140090	140	90	159	75	90	M145X2	40	61	130	6,08
	NBTP160140100	140	100	159	75	90	M145X2	40	61	130	4,97
	NBTP170150080	150	80	169	85	100	M155X2	46	68	140	9,70
	NBTP170150090	150	90	169	85	100	M155X2	46	68	140	8,57
	NBTP170150100	150	100	169	85	100	M155X2	46	68	140	7,34
	NBTP180160090	160	90	179	85	100	M165X2	46	68	150	10,52
	NBTP180160100	160	100	179	85	100	M165X2	46	68	150	9,28
	NBTP180160120	160	120	179	85	100	M165X2	46	68	150	6,28